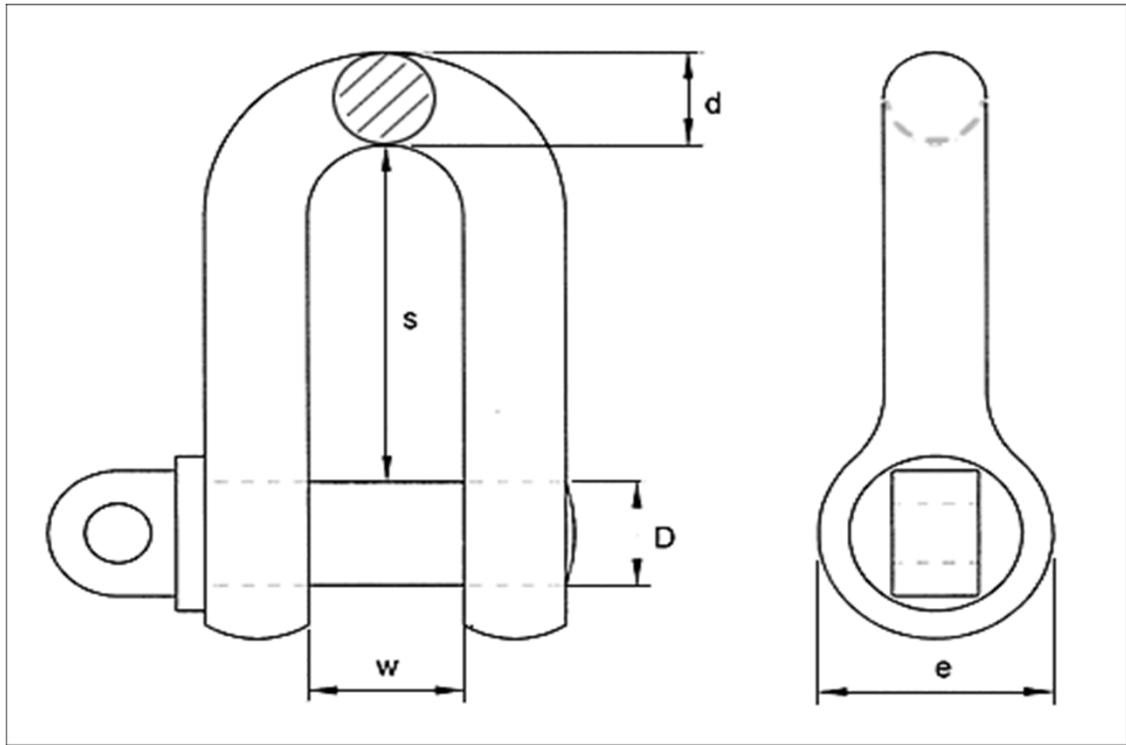
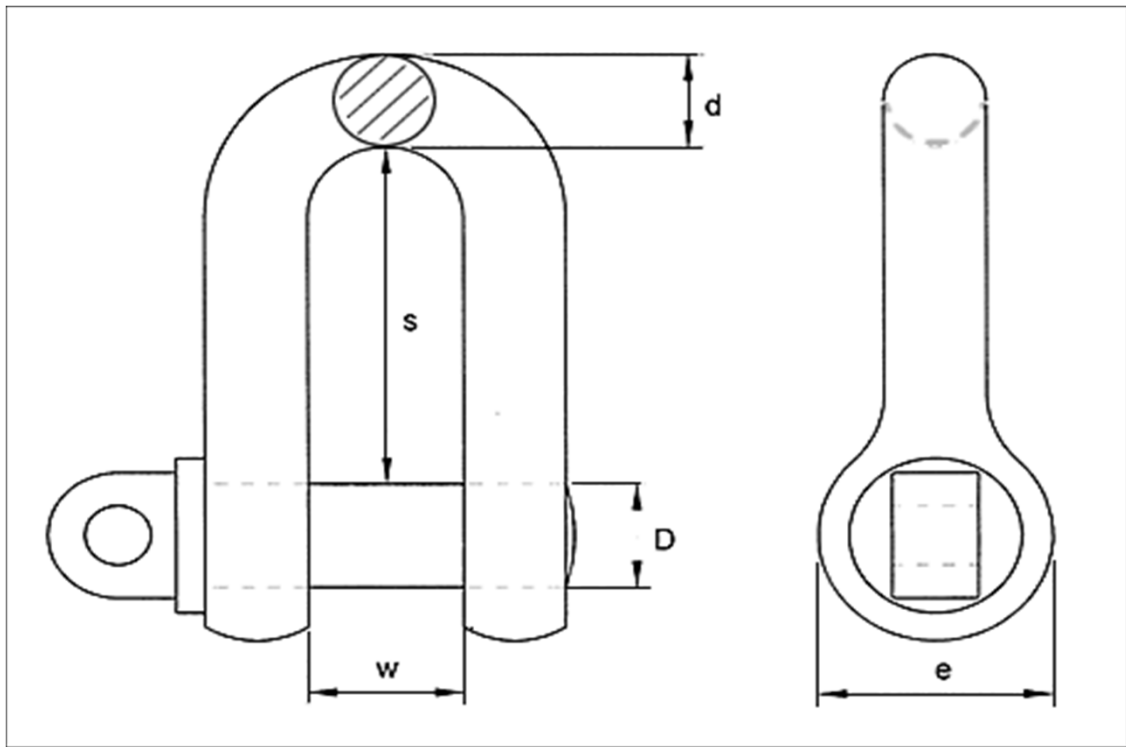


## Small 'D' Shackle



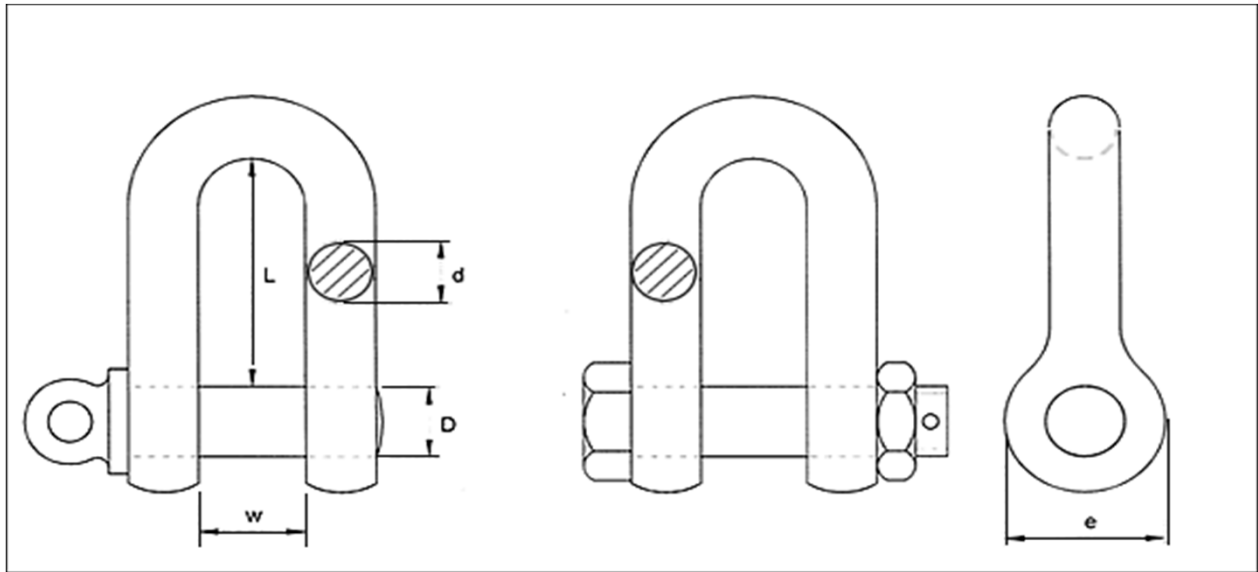
SWL Tons	d inches	D inches	w inches	s inches	e inches	Weight kg
0.3	1/4	3/8	3/8	7/8	3/4	0.06
0.6	3/8	1/2	5/8	1.3/8	1	0.16
1	1/2	5/8	7/8	1.7/8	1.1/4	0.33
1.75	5/8	3/4	1	2.1/4	1.1/2	0.61
2.5	3/4	7/8	1.1/4	2.3/4	1.3/4	0.93
3.5	7/8	1	1.3/8	3.1/4	2	1.8
4.5	1	1.1/8	1.1/2	3.5/8	2.1/4	2.15
5.5	1.1/8	1.1/4	1.3/4	4.1/8	2.1/2	3.02
7	1.1/4	1.3/8	1.7/8	4.1/2	2.3/4	4.2
8	1.3/8	1.1/2	2.1/8	5	3.1/4	5.34
10.75	1.1/2	1.3/4	2.3/8	5.1/2	3.1/2	8.36
13	1.5/8	1.7/8	2.1/2	5.7/8	3.3/4	9.35
14.75	1.3/4	2	2.3/4	6.3/8	4	12.39
16.75	1.7/8	2.1/8	2.7/8	6.3/4	4.1/4	15.3
19	2	2.1/4	3	7.1/4	4.1/2	18.4
20	2.1/8	2.3/8	3.1/4	7.3/4	4.3/4	23.6

## Large 'D' Shackle



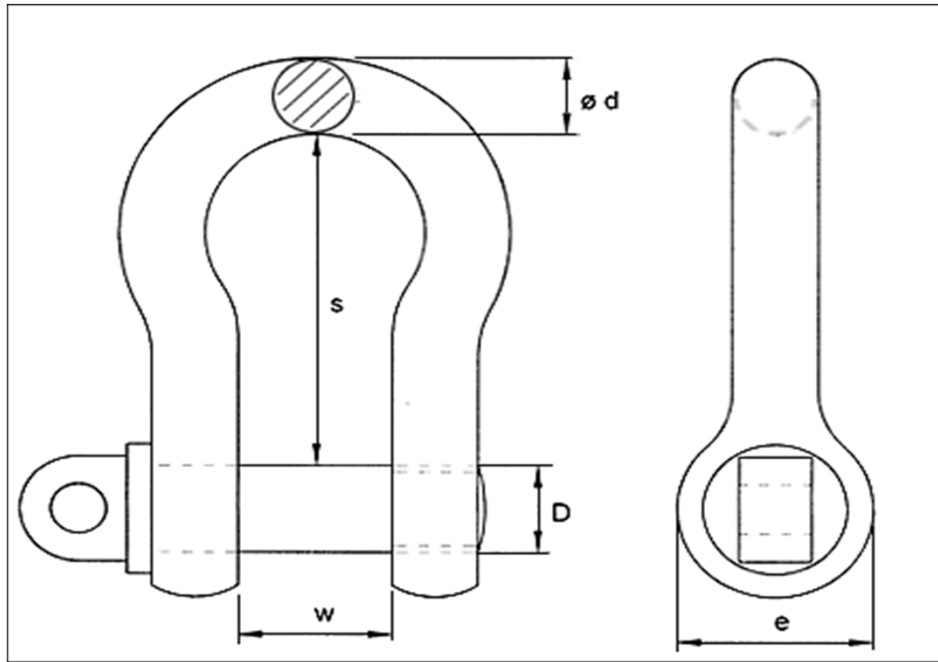
SWL Tons	d inches	D inches	w inches	s inches	e inches	Weight kg
0.25	1/4	3/8	1/2	1	3/4	0.06
0.5	3/8	1/2	3/4	1.1/2	1	0.16
0.75	1/2	5/8	1.1/8	2.1/8	1.1/4	0.35
1.5	5/8	3/4	1.1/4	2.1/2	1.1/2	0.63
2	3/4	7/8	1.1/2	2.7/8	1.3/4	1
3	7/8	1	1.3/4	3.1/4	2	1.54
3.75	1	1.1/8	2	3.3/4	2.1/4	2.21
5	1.1/8	1.1/4	2.1/8	4.1/8	2.1/2	3.11
7	1.3/8	1.1/2	2.5/8	5	3	5.33
9.5	1.1/2	1.3/4	2.3/4	5.3/8	3.1/4	8.46
11.25	1.5/8	1.7/8	3	5.3/4	3.1/2	10.48
13	1.3/4	2	3.1/4	6.1/8	3.3/4	12.66
14.25	1.7/8	2.1/8	3.5/8	7	4.1/4	15.34
16.25	2	2.1/4	3.7/8	7.3/8	4.1/2	18.5
18	2.1/8	2.3/8	4.1/8	7.3/4	4.3/4	23.8
20	2.1/4	2.1/2	4.1/4	8.1/4	5	28.6
25	2.1/2	2.7/8	4.3/4	9.1/4	5.3/4	38

## EN 13889 'Green Pin' Shackle (or U.S. Fed Spec)



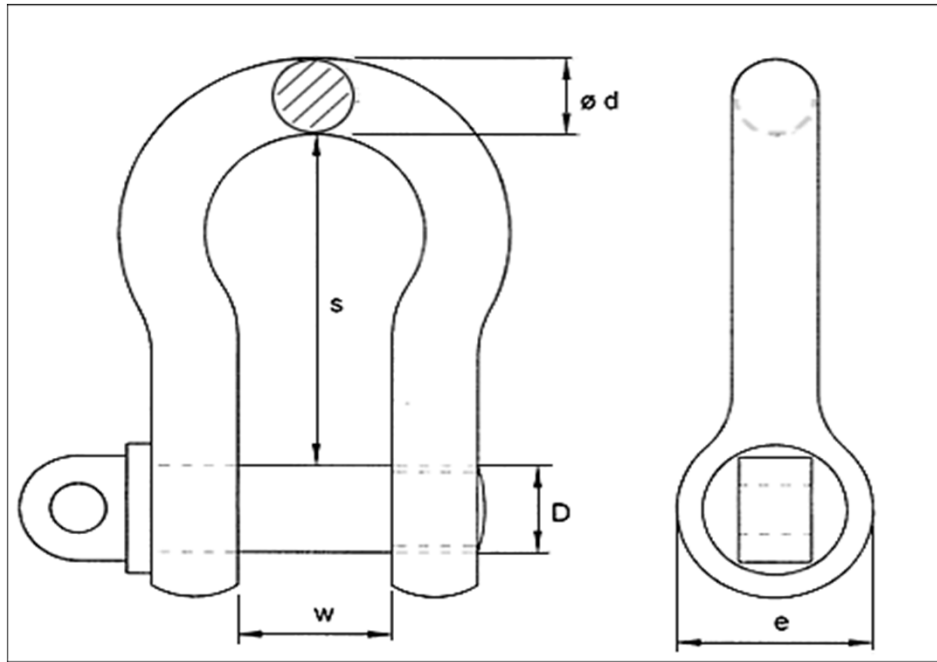
SWL Tons	d inches	D inches	w inches	L inches	e inches	Weight kg
2	1/2	5/8	4/5	1.5/8	1.3/8	0.4
3.25	5/8	3/4	1.1/16	2.13/32	1.7/8	0.7
4.75	3/4	7/8	1.1/4	2.3/8	2.1/8	1.2
6.5	7/8	1	1.7/16	2.13/16	2.3/8	1.7
8.5	1	1.1/8	1.11/16	2.3/16	2.5/8	2.5
9.5	1.1/8	1.1/4	1.13/16	2.9/16	2.7/8	3.4
12	1.1/4	1.3/8	2.1/32	3.5/16	3.1/4	4.7
13.5	1.3/8	1.1/2	2.1/4	4.7/16	3.1/2	6.1
17	1.1/2	1.5/8	2.3/8	4.7/8	3.3/4	8.4
25	1.3/4	2	2.7/8	5.3/4	4.1/2	13
35	2	2.1/4	3.1/4	6.3/4	5.1/4	18.6
55	2.1/2	2.3/4	4.1/8	8	6.1/4	39

## Small Bow Shackle



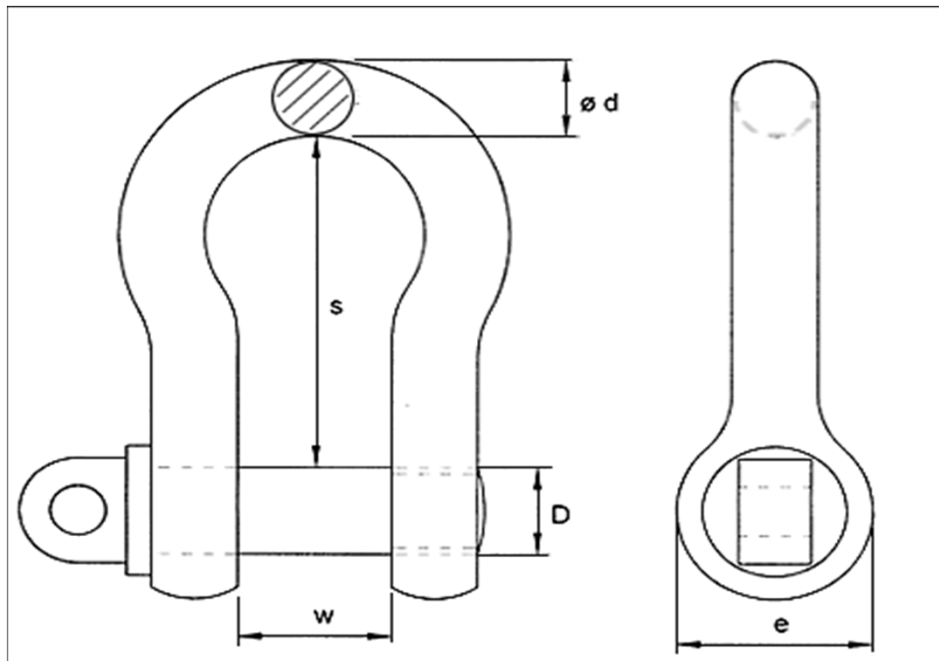
SWL Tons	d inches	D inches	w inches	s inches	e inches	Weight kg
0.5	3/8	1/2	5/8	1.1/2	1	0.2
1	1/2	5/8	7/8	2	1.1/4	0.35
1.5	5/8	3/4	1.1/8	2.1/2	1.1/2	0.6
2	3/4	7/8	1.3/8	3	1.3/4	1
3	7/8	1	1.1/2	3.1/2	2	1.6
4	1	1.1/8	1.3/4	4	2.1/4	2.3
5	1.1/8	1.1/4	2	4.1/2	2.1/2	3.2
6.25	1.1/4	1.3/8	2.1/4	5	2.3/4	4.5
7.5	1.3/8	1.1/2	2.3/8	5.1/2	3	5.8
9.25	1.1/2	1.3/4	2.5/8	6	3.1/2	8.5
10.5	1.5/8	1.7/8	2.7/8	6.1/2	3.3/4	11.3
12.5	1.3/4	2	3.1/8	7	4	13.5

## Large Bow Shackle



SWL Tons	d inches	D inches	w inches	s inches	e inches	Weight kg
0.45	3/8	1/2	5/8	1.5/8	1	0.18
0.75	1/2	5/8	7/8	2.1/8	1.1/4	0.34
1.25	5/8	3/4	1.1/8	2.3/4	1.1/2	0.65
2	3/4	7/8	1.3/8	3.3/8	1.3/4	1.08
2.75	7/8	1	1.5/8	3.7/8	2	1.8
3.75	1	1.1/8	1.3/4	4.1/4	2.1/4	2.5
4.75	1.1/8	1.1/4	2	4.7/8	2.1/2	3.4
5.75	1.1/4	1.3/8	2.1/4	5.3/8	2.3/4	4.6
7.25	1.3/8	1.1/2	2.1/2	6	3	6.1
8.5	1.1/2	1.3/4	2.3/4	6.5/8	3.1/2	8.4
9.5	1.5/8	1.7/8	3	7.3/8	3.3/4	11.8
11.5	1.3/4	2	3.3/8	8.1/8	4	14.3
13	1.7/8	2.1/8	3.5/8	8.3/4	4.1/4	17.1
15	2	2.1/4	3.7/8	9.3/8	4.1/2	20
18.5	2.1/4	2.1/2	4.1/8	10.1/8	5	30

## EN 13889 'Green Pin' Bow Shackle or U.S. Fed Spec



SWL Tons	d inches	D inches	w inches	L inches	e inches	Weight kg
2	1/2	5/8	4/5	1.7/8	1.3/8	0.4
3.25	5/8	3/4	1.1/16	1.13/32	1.7/8	0.7
4.75	3/4	7/8	1.1/4	2.27/32	2.1/8	1.3
6.5	7/8	1	1.7/16	3.5/16	2.3/8	1.8
8.5	1	1.1/8	1.11/16	3.3/4	2.5/8	2.6
9.5	1.1/8	1.1/4	1.13/16	4.1/4	2.7/8	3.6
12	1.1/4	1.3/8	2.1/32	4.11/16	3.1/4	5.1
13.5	1.3/8	1.1/2	2.1/4	5.1/4	3.1/2	7
17	1.1/2	1.5/8	2.3/8	5.3/4	3.3/4	9
25	1.3/4	2	2.7/8	7	4.1/2	14.3
35	2	2.1/4	3.1/4	7.3/4	5.1/4	21
55	2.1/2	2.3/4	4.1/8	10.1/2	6.1/4	42